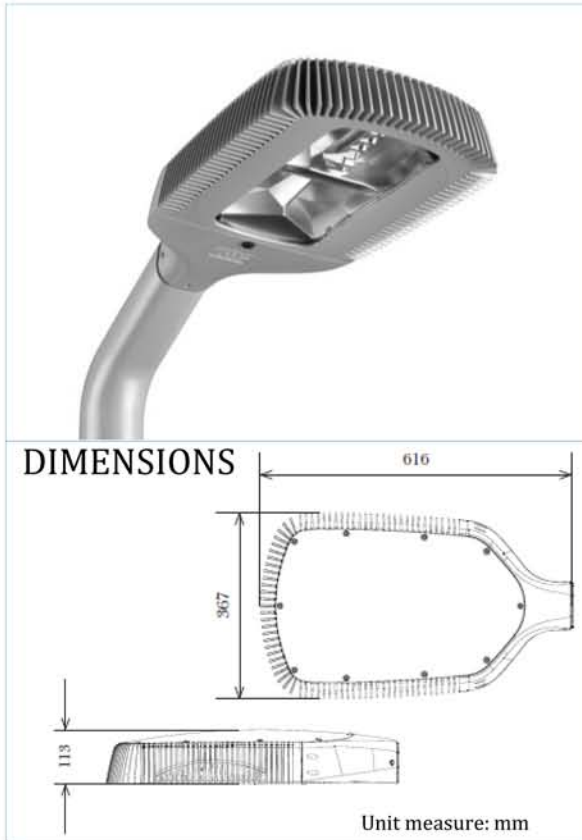


ROADled LOLA – Technical data sheet



ELECTRICAL SPECIFICATIONS

Voltage	220 ÷ 240 V ac
Frequency	50 – 60 Hz
Electrical safety class	Classe II
Power supply efficiency	90%

MECHANICAL FEATURES

Body	Die-cast aluminium EN 46100
Paint	Resistant to 1000 hours in salt spray
Glass	Extra clear, 4-mm thick
External screws	A2 stainless steel
Total weight	9,5 kg
Ingress protection	IP 66
Impact resistance	IK07 – 2J
Wind exposed surface	0,159

OPTICAL FEATURES

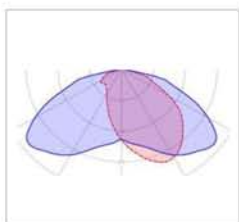
Total reflection patent	1395290
LED	CREEX XT-E (optics A) PHILIPS LUMILEDS LUXEON M (optics B)
Photobiological safety	Exempt group

INTERNATIONAL PATENT

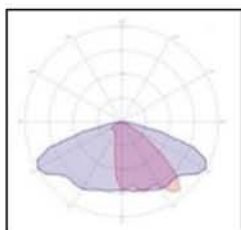
The **international total reflection** involves the usage of reflector that captures and blends the light emission through the initial optical assembly and then uses a second assembly to cast it uniformly. Applied in its standard form above all for street lighting, it delivers visual comfort and uniform lighting, without creating dark spots or glare.



OPTICS



TYPE A



TYPE B

FLUXES

Model	n. LED	Lm @ 4000K	Power
30 watt	16	2181	33W
40 watt	22	2965	45W
50 watt	28	3755	56W
60 watt	32	4261	64W
80 watt	40	5264	90W
120 watt	64	8220	125W

Model	n. LED	Lm @ 4000K	Power
30 watt	4	2660	30W
45 watt	6	3990	45W
60 watt	8	5320	60W
75 watt	10	6650	75W
90 watt	12	7980	90W
120 watt	16	10641	120W


IP66
IK08
